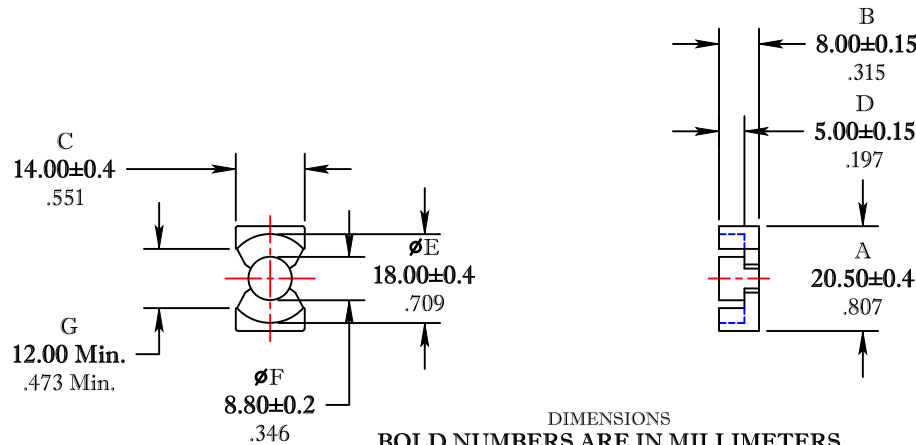


\*\* Not all features are shown in this drawing. For more detailed information, please contact your Fair-Rite representative.

UNCONTROLLED ~CATALOG~ DRAWING

SIZE	PART NO.	REV.
B	6695211621	~



DIMENSIONS  
**BOLD NUMBERS ARE IN MILLIMETERS**  
 LIGHT NUMBERS ARE IN INCHES

ELECTRICAL SPECIFICATIONS					
$\Sigma L/A(\text{cm}^{-1})$	$l_e(\text{cm})$	$A_e(\text{cm}^2)$	$V_e(\text{cm}^3)$	$A_{\text{MIN}}(\text{cm}^2)$	$A_L(\text{nH})$ @ 1 kHz < 10 gauss
6.0	3.69	0.615	2.27	0.60	3880±25%
MATE PAIR; CLAMPING FORCE = 5 lbs.					

POWER LOSS @ 25°C

f = 100kHz, 2000g P.L. ≤ 1.27 Watts

POWER LOSS @ 100°C

f = 100kHz, 2000g P.L. ≤ 1.14 Watts

<b>FAIR-RITE PRODUCTS CORP.</b>					
TITLE PQ CORE					
DRAWN BY J.SERENCISCS	DATE 07-11-2018	SIZE B	PART NO. 6695211621	REV. ~	
CHKD BY					
APPRVD BY		SCALE NONE	SHEET 1 of 1		

FR# 95