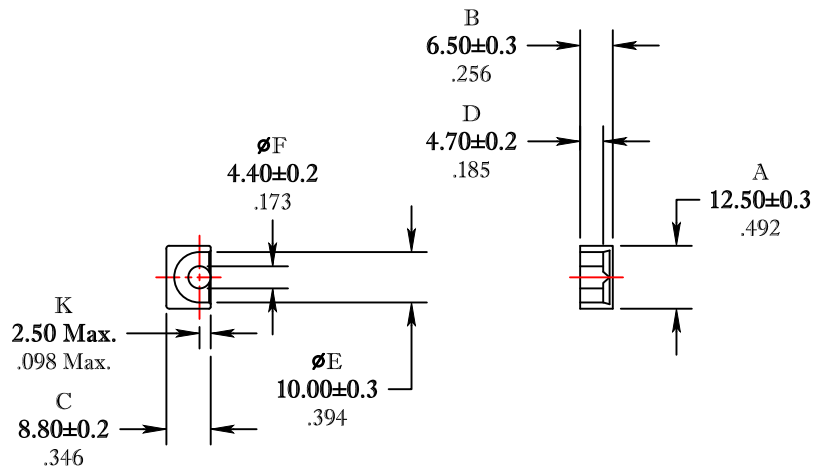


** Not all features are shown in this drawing. For more detailed information, please contact your Fair-Rite representative.

UNCONTROLLED ~CATALOG~ DRAWING


SIZE	PART NO.	REV.
B	6578130121	~



DIMENSIONS
BOLD NUMBERS ARE IN MILLIMETERS
 LIGHT NUMBERS ARE IN INCHES

ELECTRICAL SPECIFICATIONS					
$\Sigma l/A(\text{cm}^{-1})$	$l_e(\text{cm})$	$A_e(\text{cm}^2)$	$V_e(\text{cm}^3)$	$A_{\text{MIN}}(\text{cm}^2)$	$A_L(\text{nH})$ @1kHz <10gauss
11.8	2.32	0.197	0.457	0.148	1600±25%
MATE PAIR; CLAMPING FORCE = 5 lbs.					

POWER LOSS @ 100°C
 f = 100kHz, 2000g P.L. < 0.3 Watts

 FAIR-RITE PRODUCTS CORP.					
TITLE EP CORE					
DRAWN BY J.SERENCIS	DATE 07-12-2018	SIZE B	PART NO. 6578130121	REV. ~	
CHKD BY					
APPRVD BY		SCALE NONE	SHEET 1 of 1		

FR# 78