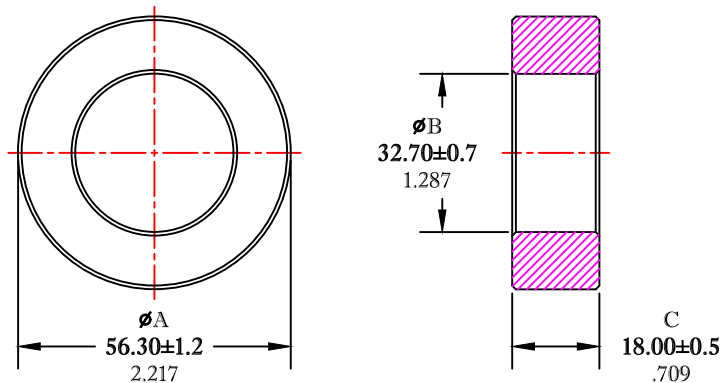


\*\* Not all features are shown in this drawing. For more detailed information, please contact your Fair-Rite representative.

UNCONTROLLED ~CATALOG~ DRAWING

SIZE	PART NO.	REV.
B	5978018701	~



DIMENSIONS  
**BOLD NUMBERS ARE IN MILLIMETERS**  
 LIGHT NUMBERS ARE IN INCHES

ELECTRICAL SPECIFICATIONS						
$\Sigma l/A(\text{mm}^{-1})$	$l_e$ (mm)	$A_e$ (mm <sup>2</sup> )	$V_e$ (mm <sup>3</sup> )	$L_o$ (nH)	$A_L$ (nH) @ 10kHz <10gauss	$\tan \delta/\mu_1$ @ 100kHz <1gauss
0.64245	133	207	27600	1.956	4500±25%	≤15X10E-6

NOTES:

1 - BURNISHED TO BREAK SHARP EDGES.

FR# 78

<b>FAIR-RITE PRODUCTS CORP.</b>						
TITLE TOROID						
DRAWN BY J.SERENCISCS	DATE 07-18-2018	SIZE	PART NO.			REV.
CHKD BY		B	5978018701			~
APPRVD BY		SCALE	NONE	SHEET 1 of 1		