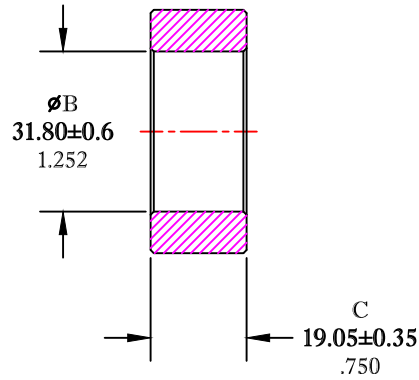
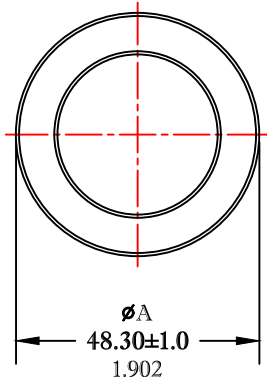


\*\* Not all features are shown in this drawing. For more detailed information, please contact your Fair-Rite representative.

UNCONTROLLED ~CATALOG~ DRAWING

SIZE	PART NO.	REV.
B	5978017301	~



DIMENSIONS  
**BOLD NUMBERS ARE IN MILLIMETERS**  
 LIGHT NUMBERS ARE IN INCHES

ELECTRICAL SPECIFICATIONS						
$\Sigma l/A(\text{mm}^{-1})$	$l_e$ (mm)	$A_e$ (mm <sup>2</sup> )	$V_e$ (mm <sup>3</sup> )	$L_o$ (nH)	$AL$ (nH) @10kHz <10gauss	$\tan \delta/\mu$ @100kHz <1gauss
0.78873	122	155	18945	1.593	3670±25%	≤15X10 <sup>-6</sup>

NOTES:

- 1 - ALL EDGES SHALL HAVE A MINIMUM .025" RADIUS, OR BE CHAMFERED.
- 2 - BURNISH TO BREAK ALL SHARP EDGES.

FR# 78

<b>FAIR-RITE PRODUCTS CORP.</b>						
TITLE TOROID						
DRAWN BY J.SERENCSCS	DATE 07-18-2018	SIZE B	PART NO. 5978017301			REV. ~
CHKD BY				APPRVD BY	SCALE NONE	SHEET 1 of 1