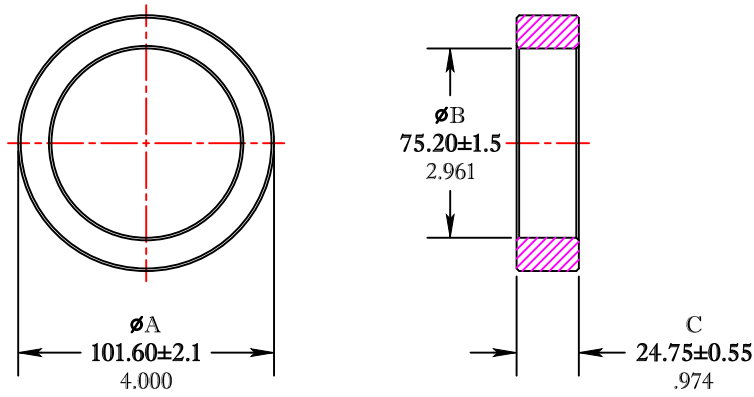


** Not all features are shown in this drawing. For more detailed information, please contact your Fair-Rite representative.


UNCONTROLLED ~CATALOG~ DRAWING

| | | |
|------|------------|------|
| SIZE | PART NO. | REV. |
| B | 5978014001 | ~ |



DIMENSIONS
BOLD NUMBERS ARE IN MILLIMETERS
 LIGHT NUMBERS ARE IN INCHES

| ELECTRICAL SPECIFICATIONS | | | | | | |
|------------------------------|------------|--------------------------|--------------------------|------------|----------------------------------|---|
| $\Sigma l/A(\text{mm}^{-1})$ | l_e (mm) | A_e (mm ²) | V_e (mm ³) | L_o (nH) | A_L (nH) @10kHz <10gauss | $\tan \delta/\mu_1$ @100kHz <1gauss |
| 0.84369 | 273.6 | 324.2 | 88701 | 1.489 | 3425±25% | ≤25X10E-6 |

| | | | | | | |
|---|--------------------|-----------|------------------------|--------------|--|--|
|  FAIR-RITE PRODUCTS CORP. | | | | | | |
| TITLE TOROID | | | | | | |
| DRAWN BY J.SERENCSCS | DATE 07-18-2018 | SIZE B | PART NO. 5978014001 | REV. ~ | | |
| CHKD BY | | | | | | |
| APPRVD BY | | SCALE | NONE | SHEET 1 of 1 | | |

FR# 78