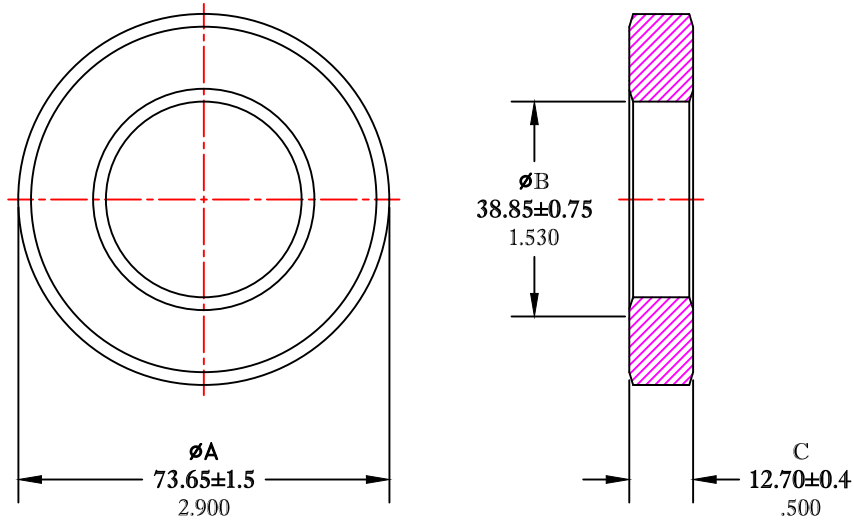


** Not all features are shown in this drawing. For more detailed information, please contact your Fair-Rite representative.

UNCONTROLLED ~CATALOG~ DRAWING

SIZE	PART NO.	REV.
B	5977011101	~



DIMENSIONS
BOLD NUMBERS ARE IN MILLIMETERS
 LIGHT NUMBERS ARE IN INCHES

ELECTRICAL SPECIFICATIONS						
$\Sigma l/A(\text{mm}^{-1})$	l_e (mm)	A_e (mm ²)	V_e (mm ³)	L_o (nH)	A_L (nH) @ 10 kHz <10gauss	$\tan \delta/\mu_i$ @ 100 kHz <1gauss
0.77347	165	214	35289	1.625	3500±25%	≤25X10E-6

NOTES:

- 1 - BURNISH TO BREAK SHARP EDGES.
- 2 - ELECTRICAL TESTING TO BE PERFORMED AS PER FAIR-RITE PRODUCTS CORP. SOP# ELC-45.

FR# 77

FAIR-RITE PRODUCTS CORP.						
TITLE TOROID						
DRAWN BY J.SERENCSCS	DATE 07-18-2018	SIZE B	PART NO. 5977011101	REV. ~		
CHKD BY						
APPRVD BY		SCALE	NONE	SHEET	1 of 1	