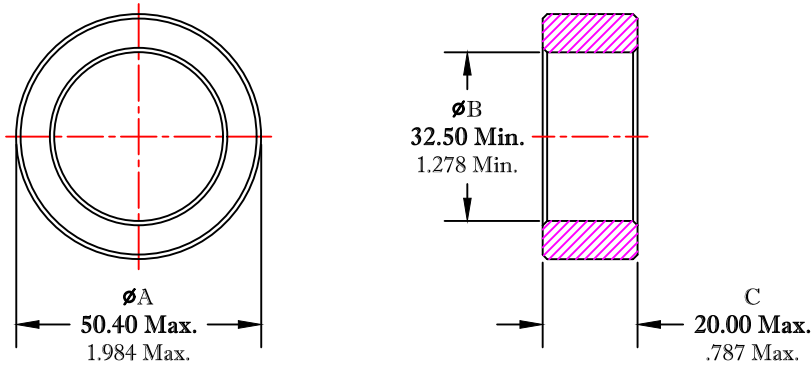


\*\* Not all features are shown in this drawing. For more detailed information, please contact your Fair-Rite representative.

UNCONTROLLED ~CATALOG~ DRAWING

SIZE	PART NO.	REV.
B	5975022021	~



AFTER COATING

DIMENSIONS  
**BOLD NUMBERS ARE IN MILLIMETERS**  
 LIGHT NUMBERS ARE IN INCHES

NOTES:

- 1 - THIS PART TO BE THERMOSET PLASTIC COATED.
- 2 - COATING THICKNESS = **0.30mm** (.012") Max.
- 3 - COATED TOROID TO WITHSTAND A MINIMUM BREAKDOWN VOLTAGE OF 1000 Vrms, WHEN UNIFORMLY APPLIED ACROSS THE "C" DIMENSION.

FR# 75

ELECTRICAL SPECIFICATIONS						
$\Sigma l/A(\text{mm}^{-1})$	$le$ (mm)	$Ae$ (mm <sup>2</sup> )	$Ve$ (mm <sup>3</sup> )	$Lo$ (nH)	$AL$ (nH) @10kHz <10gauss	$\tan \delta/\mu_1$ @100kHz <1gauss
0.886	127	144	18270	1.418	7770 $\pm 25\%$ -30%	$\leq 50 \times 10^{-6}$

<b>FAIR-RITE PRODUCTS CORP.</b>						
TITLE COATED TOROID						
DRAWN BY J.SERENCISCS	DATE 07-18-2018	SIZE	PART NO.	REV.		
CHKD BY		B	5975022021	~		
APPRVD BY		SCALE	NONE	SHEET	1 of 1	