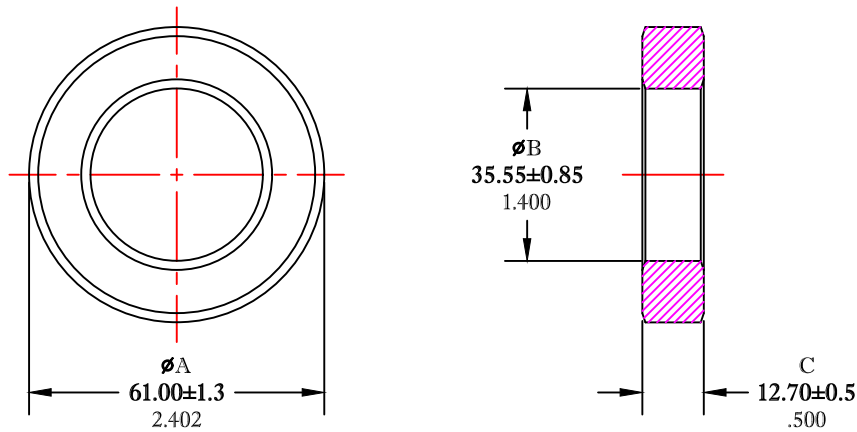


** Not all features are shown in this drawing. For more detailed information, please contact your Fair-Rite representative.

UNCONTROLLED ~CATALOG~ DRAWING

SIZE	PART NO.	REV.
B	5967003801	~



DIMENSIONS
BOLD NUMBERS ARE IN MILLIMETERS
 LIGHT NUMBERS ARE IN INCHES

ELECTRICAL SPECIFICATIONS						
$\Sigma l/A(\text{mm}^{-1})$	l_e (mm)	A_e (mm ²)	V_e (mm ³)	L_o (nH)	A_L (nH) @10 kHz <10gauss	Q @50 MHz
.91627	145	158	22800	1.371	55 ^{+35%} _{-25%}	50 Min.
					N = 20	N = 2

NOTES:

1 - BURNISH TO BREAK SHARP EDGES.

FR# 67

FAIR-RITE PRODUCTS CORP.						
TITLE TOROID						
DRAWN BY J.SERENCICS	DATE 07-17-2018	SIZE	PART NO.	REV.		
CHKD BY		B	5967003801	~		
APPRVD BY		SCALE	NONE	SHEET	1	of 1