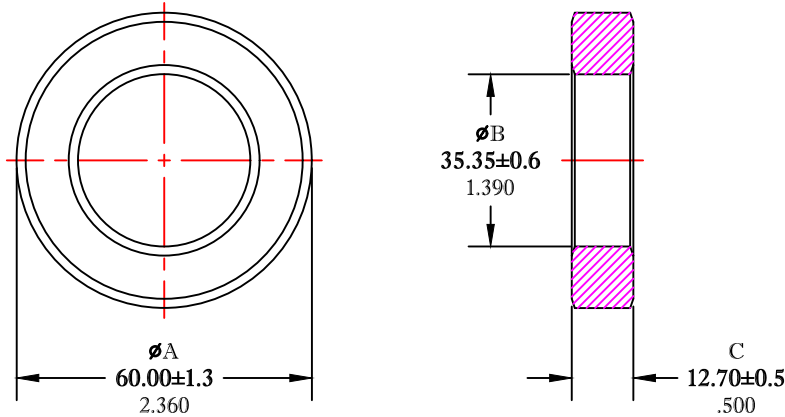


** Not all features are shown in this drawing. For more detailed information, please contact your Fair-Rite representative.

UNCONTROLLED ~CATALOG~ DRAWING

SIZE	PART NO.	REV.
B	5952003801	~



DIMENSIONS
BOLD NUMBERS ARE IN MILLIMETERS
 LIGHT NUMBERS ARE IN INCHES

ELECTRICAL SPECIFICATIONS						
$\Sigma l/A(\text{mm}^{-1})$	$l_e(\text{mm})$	$A_e(\text{mm}^2)$	$V_e(\text{mm}^3)$	$L_o(\text{nH})$	$AL(\text{nH})$ @ 10 kHz <10gauss	$\tan \delta/\mu_1$ @ 1 MHz <1gauss
0.91627	145	158	22800	1.371	325±25%	≤125X10E-6

NOTES:

1 - BURNISH TO BREAK SHARP EDGES.

FR# 52

FAIR-RITE PRODUCTS CORP.					
TITLE TOROID					
DRAWN BY J.SERENCIS	DATE 07-18-2018	SIZE B	PART NO. 5952003801	REV. ~	
CHKD BY		APPRVD BY	SCALE NONE	SHEET 1 of 1	