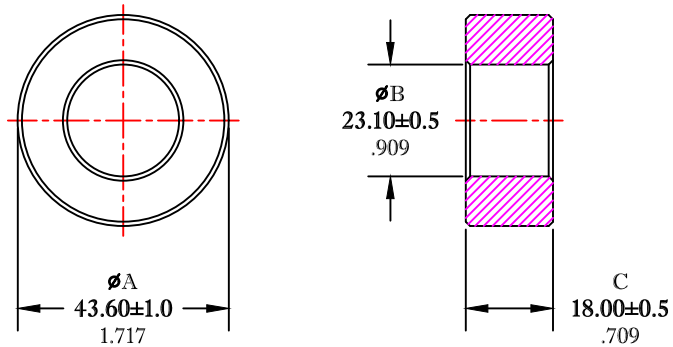


** Not all features are shown in this drawing. For more detailed information, please contact your Fair-Rite representative.

UNCONTROLLED ~CATALOG~ DRAWING

SIZE	PART NO.	REV.
B	5943018601	~



DIMENSIONS
BOLD NUMBERS ARE IN MILLIMETERS
 LIGHT NUMBERS ARE IN INCHES

ELECTRICAL SPECIFICATIONS						
$\Sigma l/A(\text{mm}^{-1})$	l_e (mm)	A_e (mm ²)	V_e (mm ³)	L_o (nH)	A_L (nH) @ 10 kHz <10gauss	$\tan \delta/\mu_1$ @ 100 kHz <1gauss
.54950	98.0	178.4	17492	2.287	1830±25%	≤50X10E-6

NOTES:

1 - BURNISH TO BREAK SHARP EDGES.

FR# 43

FAIR-RITE PRODUCTS CORP.						
TITLE TOROID						
DRAWN BY J.SERENCIS	DATE 07-18-2018	SIZE	PART NO.			REV.
CHKD BY		B	5943018601			~
APPRVD BY		SCALE	NONE	SHEET 1 of 1		