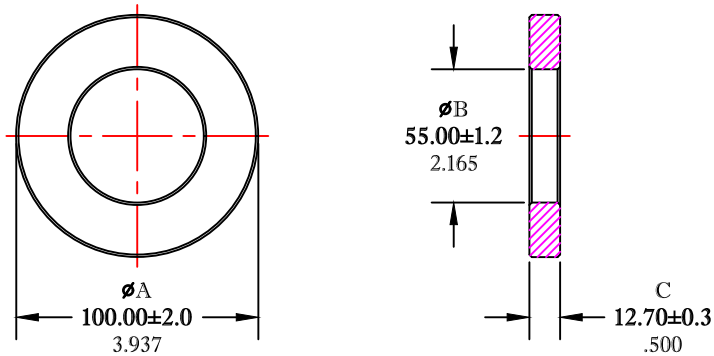


\*\* Not all features are shown in this drawing. For more detailed information, please contact your Fair-Rite representative.

UNCONTROLLED ~CATALOG~ DRAWING

SIZE	PART NO.	REV.
B	5943015901	~



DIMENSIONS  
**BOLD NUMBERS ARE IN MILLIMETERS**  
 LIGHT NUMBERS ARE IN INCHES

ELECTRICAL SPECIFICATIONS						
$\Sigma l/A(\text{mm}^{-1})$	$le$ (mm)	$Ae$ (mm <sup>2</sup> )	$Ve$ (mm <sup>3</sup> )	$Lo$ (nH)	$AL$ (nH) @10 kHz <10gauss	$\tan \delta/\mu_1$ @100 kHz 1gauss
.82752	230	277	63674	1.519	1215±25%	≤50X10E-6

NOTES:

1 - BRUSH GREEN TO BREAK SHARP EDGES.

FR# 43

<b>FAIR-RITE PRODUCTS CORP.</b>						
TITLE TOROID						
DRAWN BY J.SERENCICS	DATE 07-18-2018	SIZE	PART NO.	REV.		
CHKD BY		B	5943015901	~		
APPRVD BY		SCALE	NONE	SHEET	1	of 1