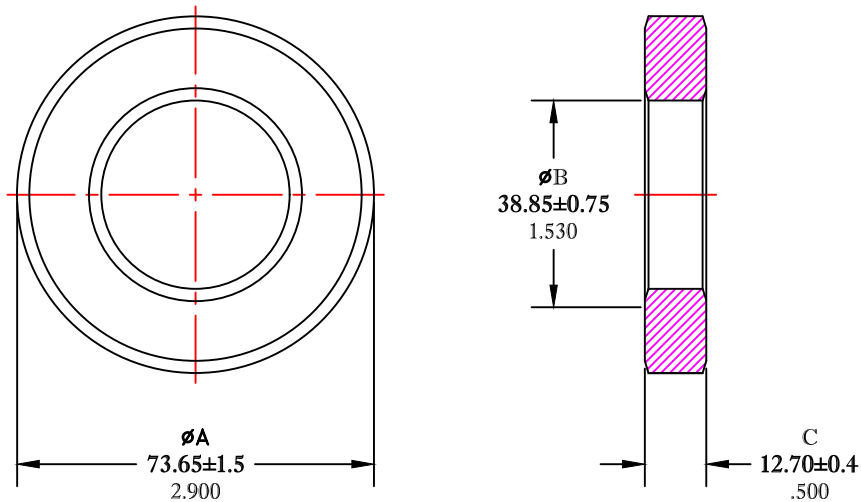


** Not all features are shown in this drawing. For more detailed information, please contact your Fair-Rite representative.

UNCONTROLLED ~CATALOG~ DRAWING

SIZE	PART NO.	REV.
B	5943011101	~



DIMENSIONS
BOLD NUMBERS ARE IN MILLIMETERS
 LIGHT NUMBERS ARE IN INCHES

NOTES:

1 - BURNISH TO BREAK SHARP EDGES.

ELECTRICAL SPECIFICATIONS						
$\Sigma l/A(\text{mm}^{-1})$	l_e (mm)	A_e (mm ²)	V_e (mm ³)	L_o (nH)	AL (nH) @ 10 kHz <10gauss	$\tan \delta/\mu_1$ @100 kHz 1gauss
0.77374	165	214	35289	1.625	1300±25%	≤50X10E-6

FAIR-RITE PRODUCTS CORP.						
TITLE TOROID						
DRAWN BY J.SERENCICS	DATE 07-18-2018	SIZE	PART NO.			REV.
CHKD BY		B	5943011101			~
APPRVD BY		SCALE	NONE	SHEET 1 of 1		

FR# 43