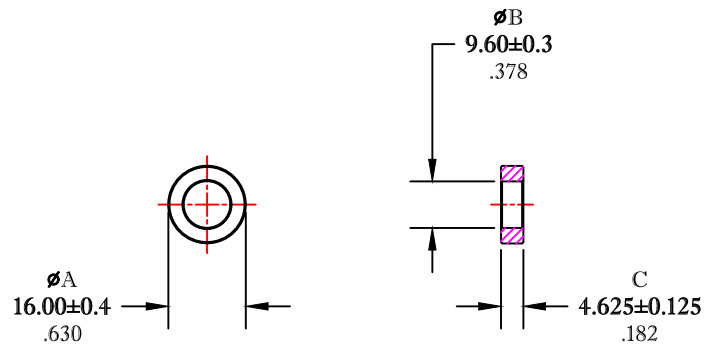


** Not all features are shown in this drawing. For more detailed information, please contact your Fair-Rite representative.

UNCONTROLLED ~CATALOG~ DRAWING

SIZE	PART NO.	REV.
B	5943005101	~



DIMENSIONS
BOLD NUMBERS ARE IN MILLIMETERS
 LIGHT NUMBERS ARE IN INCHES

ELECTRICAL SPECIFICATIONS						
$\Sigma l/A(\text{mm}^{-1})$	l_e (mm)	A_e (mm ²)	V_e (mm ²)	L_o (nH)	A_L (nH) @10 kHz <10gauss	$\tan \delta/\mu_1$ @100 kHz 1gauss
2.6594	38.5	14.5	558	0.473	375±20%	≤40X10E-6

NOTES:

- 1 - BURNISH TO BREAK SHARP EDGES.
- 2 - ELECTRICAL TESTS PERFORMED AS PER SOP# ELC-45.

FR# 43

FAIR-RITE PRODUCTS CORP.						
TITLE TOROID						
DRAWN BY J.SERENCIS	DATE 07-18-2018	SIZE B	PART NO. 5943005101	REV. ~		
CHKD BY				SCALE NONE	SHEET 1 of 1	
APPRVD BY						