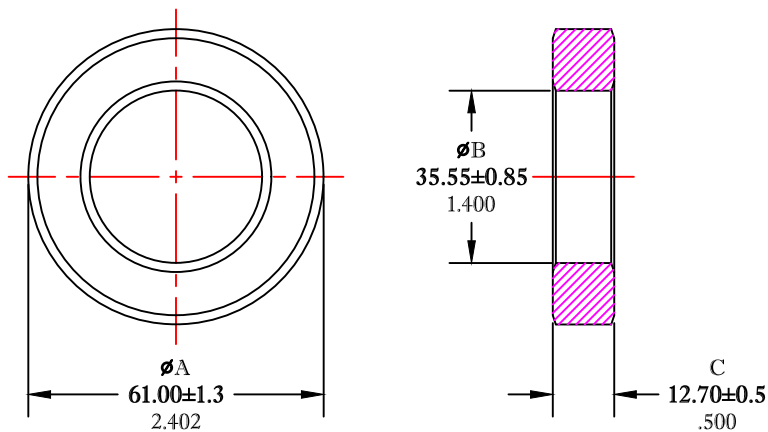


** Not all features are shown in this drawing. For more detailed information, please contact your Fair-Rite representative.

UNCONTROLLED ~CATALOG~ DRAWING

SIZE	PART NO.	REV.
B	5943003801	~



DIMENSIONS
BOLD NUMBERS ARE IN MILLIMETERS
 LIGHT NUMBERS ARE IN INCHES

ELECTRICAL SPECIFICATIONS						
$\Sigma l/A(\text{mm}^{-1})$	le (mm)	Ae (mm ²)	Ve (mm ³)	Lo (nH)	AL (nH) @10 kHz <10gauss	$\tan \delta/\mu_1$ @100 kHz 1gauss
0.91627	145	158	22800	1.371	1075±20%	≤40X10E-6

NOTES:

- 1 - BURNISH TO BREAK SHARP EDGES.
- 2 - ELECTRICAL TESTING TO BE PERFORMED AS PER FAIR-RITE PRODUCTS CORP. SOP# ELC-45.

FR# 43

FAIR-RITE PRODUCTS CORP.						
TITLE TOROID						
DRAWN BY J.SERENCIS	DATE 07-17-2018	SIZE	PART NO.	REV.		
CHKD BY		B	5943003801	~		
APPRVD BY		SCALE	NONE	SHEET 1 of 1		