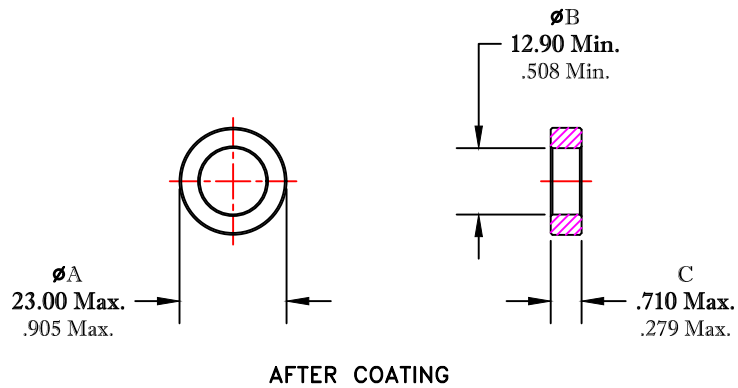


** Not all features are shown in this drawing. For more detailed information, please contact your Fair-Rite representative.

UNCONTROLLED ~CATALOG~ DRAWING

SIZE	PART NO.	REV.
B	5943001821	~



DIMENSIONS
BOLD NUMBERS ARE IN MILLIMETERS
 LIGHT NUMBERS ARE IN INCHES

ELECTRICAL SPECIFICATIONS						
$\Sigma l/A(\text{mm}^{-1})$	l_e (mm)	A_e (mm ²)	V_e (mm ³)	L_o (nH)	AL (nH) @10 kHz <10gauss	$\tan \delta/\mu_1$ @100 kHz <1gauss
2.0692	54.2	26.2	1416	0.607	485 ^{+20%} _{-25%}	$\leq 50 \times 10^{-6}$

NOTES:

- 1 - THIS PART TO BE THERMOSET PLASTIC COATED, USE APPROVED FR# 5943001801.
- 2 - COATING THICKNESS = 0.25mm [.010"] MAX.
- 3 - COATED TOROID TO WITHSTAND A MINIMUM BREAKDOWN VOLTAGE OF 1000 Vrms, WHEN UNIFORMLY APPLIED ACROSS THE "C" DIMENSION.
- 5 - ELECTRICAL TESTS PERFORMED AS PER SOP# ELC-45.

FR# 43

FAIR-RITE PRODUCTS CORP.						
TITLE COATED TOROID						
DRAWN BY J.SERENCISCS	DATE 07-17-2018	SIZE	PART NO.	REV.		
CHKD BY		B	5943001821	~		
APPRVD BY		SCALE	NONE	SHEET 1 of 1		