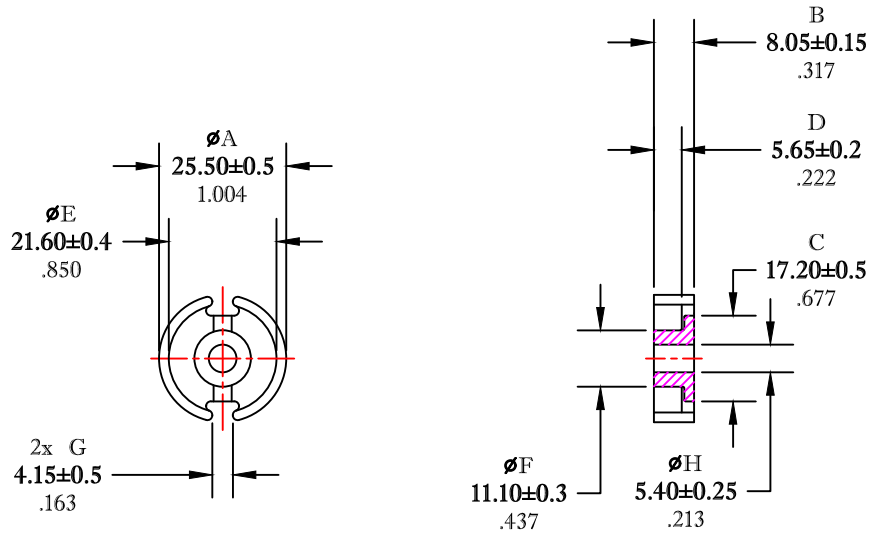


** Not all features are shown in this drawing. For more detailed information, please contact your Fair-Rite representative.

UNCONTROLLED ~CATALOG~ DRAWING

SIZE	PART NO.	REV.
B	5695261721	~



DIMENSIONS
BOLD NUMBERS ARE IN MILLIMETERS
 LIGHT NUMBERS ARE IN INCHES

ELECTRICAL SPECIFICATIONS					
$\Sigma l/A(\text{cm}^{-1})$	$l_e(\text{cm})$	$A_e(\text{cm}^2)$	$V_e(\text{cm}^3)$	$A_{\text{MIN}}(\text{cm}^2)$	AL (nH) @1kHz <10gauss
4.4	3.8	0.867	3.31	0.74	5500 ± 25%
MATE PAIR; CLAMPING FORCE = 14.4 lbs.					

POWER LOSS @ 25°C

f=100 kHz, 2000g P.L. < 1.9 Watts

POWER LOSS @ 100°C

f=100 kHz, 2000g P.L. < 1.7 Watts

FAIR-RITE PRODUCTS CORP.

TITLE 26mm X 16mm POT CORE

DRAWN BY J.SERENCICS	DATE 07-16-2018	SIZE	PART NO.	REV.
CHKD BY		B	5695261721	~
APPRVD BY		SCALE	NONE	SHEET 1 of 1

FR# 95