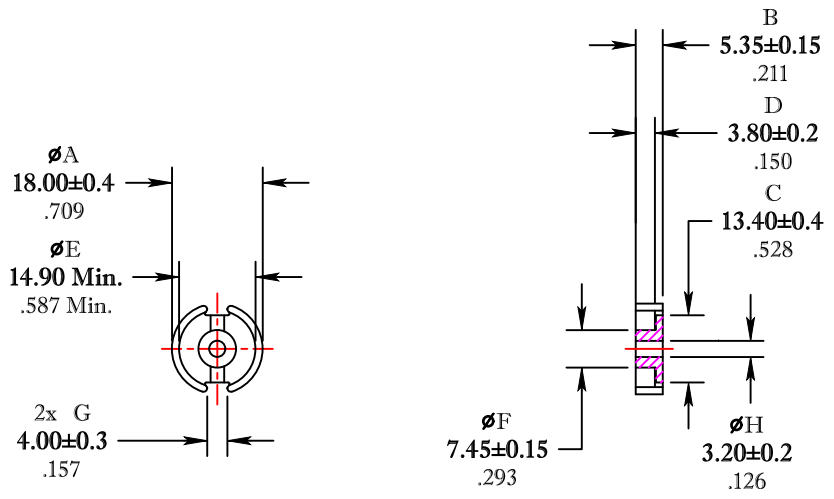


\*\* Not all features are shown in this drawing. For more detailed information, please contact your Fair-Rite representative.

UNCONTROLLED ~CATALOG~ DRAWING

SIZE	PART NO.	REV.
B	5695181221	~



DIMENSIONS  
**BOLD NUMBERS ARE IN MILLIMETERS**  
 LIGHT NUMBERS ARE IN INCHES

ELECTRICAL SPECIFICATIONS					
$\Sigma l/A(\text{cm}^{-1})$	$l_e(\text{cm})$	$A_e(\text{cm}^2)$	$V_e(\text{cm}^3)$	$A_{\text{MIN}}(\text{cm}^2)$	$A_L(\text{nH})$ @1kHz <10gauss
6	2.59	0.43	1.12	0.360	3400±25%
MATE PAIR; CLAMPING FORCE = 6.7 lbs.					

POWER LOSS @ 25°C  
 f=100kHz, 2000g P.L. < 0.65 Watts

POWER LOSS @ 100°C  
 f=100kHz, 2000g P.L. < 0.6 Watts

FR# 95

<b>FAIR-RITE PRODUCTS CORP.</b>					
TITLE 18mm X 11mm POT CORE					
DRAWN BY J.SERENCSCS	DATE 07-16-2018	SIZE B	PART NO. 5695181221	REV. 2	
CHKD BY					
APPRVD BY		SCALE NONE	SHEET 1 of 1		