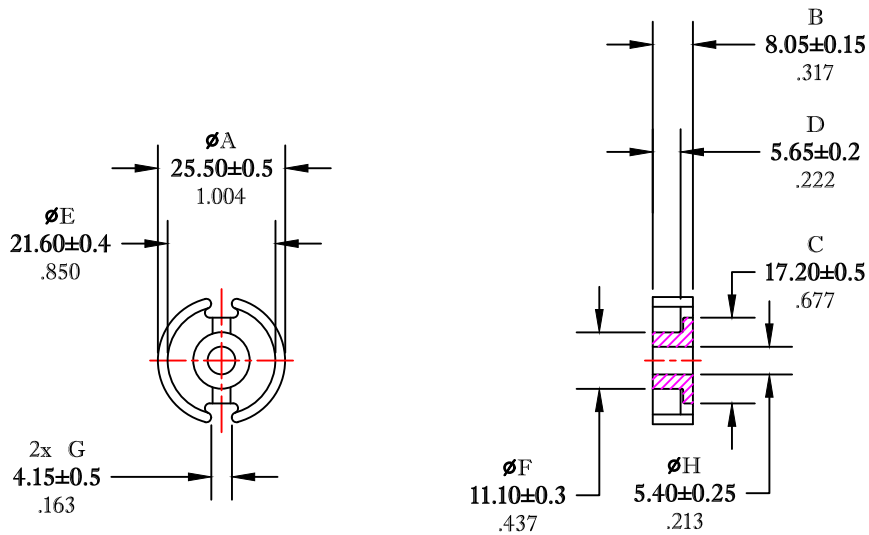


** Not all features are shown in this drawing. For more detailed information, please contact your Fair-Rite representative.

UNCONTROLLED ~CATALOG~ DRAWING

SIZE	PART NO.	REV.
B	5678261721	~



DIMENSIONS
BOLD NUMBERS ARE IN MILLIMETERS
 LIGHT NUMBERS ARE IN INCHES

ELECTRICAL SPECIFICATIONS					
$\Sigma l/A(\text{cm}^{-1})$	l_e (cm)	A_e (cm ²)	V_e (cm ³)	A_{MIN} (cm ²)	A_L (nH) @1kHz <10gauss
4.4	3.8	0.867	3.31	0.74	4800 ± 25%
MATE PAIR; CLAMPING FORCE = 14.4 lbs.					

POWER LOSS @ 100°C
 f=100 kHz, 2000g P.L. < 1.85 Watts

FR# 78

FAIR-RITE PRODUCTS CORP.					
TITLE 26mm X 16mm POT CORE					
DRAWN BY J.SERENCISCS	DATE 07-16-2018	SIZE	PART NO.	REV.	
CHKD BY		B	5678261721	~	
APPRVD BY		SCALE	NONE	SHEET 1 of 1	