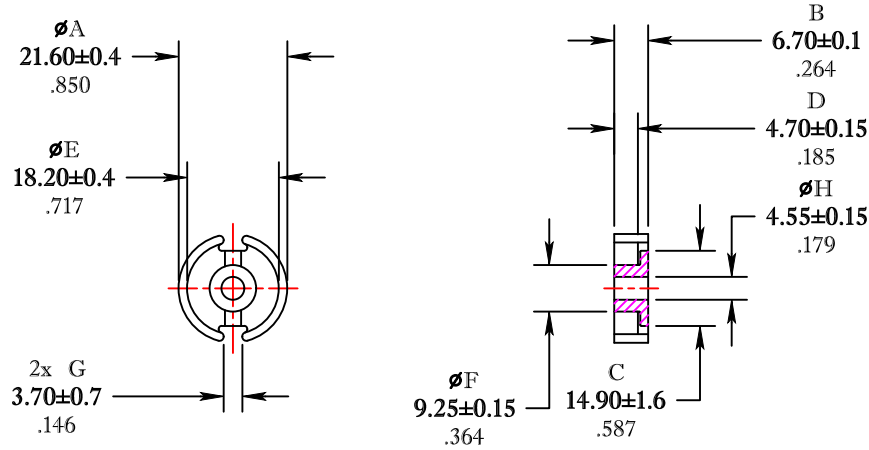


\*\* Not all features are shown in this drawing. For more detailed information, please contact your Fair-Rite representative.

UNCONTROLLED ~CATALOG~ DRAWING

SIZE	PART NO.	REV.
B	5678221421	~



DIMENSIONS  
**BOLD NUMBERS ARE IN MILLIMETERS**  
 LIGHT NUMBERS ARE IN INCHES

ELECTRICAL SPECIFICATIONS					
$\Sigma l/A(\text{cm}^{-1})$	$l_e(\text{cm})$	$A_e(\text{cm}^2)$	$V_e(\text{cm}^3)$	$A_{\text{MIN}}(\text{cm}^2)$	$A_L(\text{nH})$ @1kHz <10gauss
4.8	3.12	0.648	2	0.51	4000±25%
MATE PAIR; CLAMPING FORCE = 9.8 lbs.					

POWER LOSS @ 100°C  
 f=100kHz, 2000g P.L. < 1.2 Watts

FAIR-RITE PRODUCTS CORP.					
TITLE 22mm X 13mm POT CORE					
DRAWN BY J.SERENCSCS	DATE 07-16-2018	SIZE B	PART NO. 5678221421	REV. ~	
CHKD BY					
APPRVD BY		SCALE NONE	SHEET 1 of 1		

FR# 78