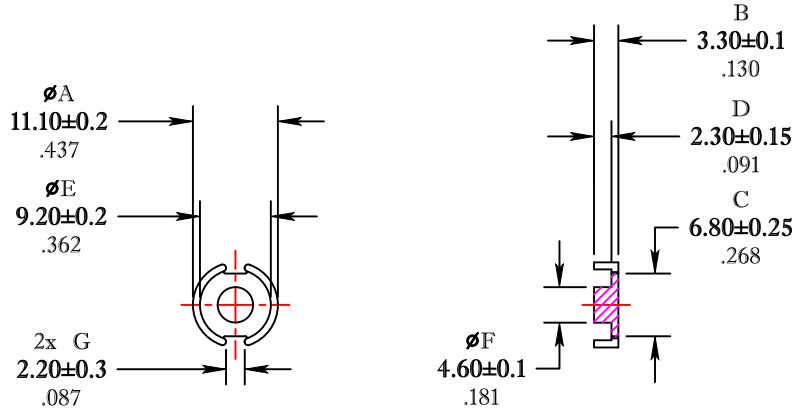


\*\* Not all features are shown in this drawing. For more detailed information, please contact your Fair-Rite representative.

UNCONTROLLED ~CATALOG~ DRAWING

SIZE	PART NO.	REV.
B	5678110821	~




DIMENSIONS  
**BOLD NUMBERS ARE IN MILLIMETERS**  
 LIGHT NUMBERS ARE IN INCHES

ELECTRICAL SPECIFICATIONS					
$\Sigma L/A(\text{cm}^{-1})$	$l_e(\text{cm})$	$A_e(\text{cm}^2)$	$V_e(\text{cm}^3)$	$A_{\text{MIN}}(\text{cm}^2)$	$A_L(\text{nH})$ @ 1 kHz < 10 gauss
9.5	1.65	0.173	0.284	0.145	1680 ± 25%
MATE PAIR; CLAMPING FORCE = 5 lbs.					

POWER LOSS @ 100°C

f = 100 kHz, 2000g P.L. < 0.16 Watts

FR# 78

 <b>FAIR-RITE PRODUCTS CORP.</b>					
TITLE 11mm X 7mm POT CORE					
DRAWN BY J.SERENCSCS	DATE 07-09-2018	SIZE B	PART NO. 5678110821	REV. ~	
CHKD BY					
APPRVD BY		SCALE NONE	SHEET 1 of 1		