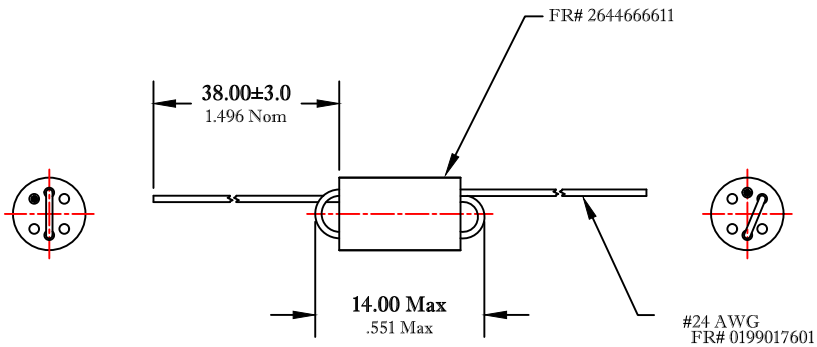


\*\* Not all features are shown in this drawing. For more detailed information, please contact your Fair-Rite representative.

UNCONTROLLED ~CATALOG~ DRAWING

SIZE	PART NO.	REV.
<b>B</b>	2961666661	~



DIMENSIONS  
**BOLD NUMBERS ARE IN MILLIMETERS**  
 LIGHT NUMBERS ARE IN INCHES

ELECTRICAL SPECIFICATIONS

Impedance (Ohms)		
50 MHz	100 MHz	200 MHz
224 Min.	304 Min.	408 Min.

NOTES:

- 1 - CHIPS CRACKS, AND APPEARANCE TO MEET FAIR-RITE VISUAL INSPECTION CRITERIA FOR GENERIC MULTI-HOLE WOUND BEADS.
- 2 - IMPEDANCE MEASURED USING A HP4191A ON A 16092A TEST FIXTURE, WITH FIXTURE COMPENSATION, AND A WIRE LENGTH CUT TO <math>6.35\text{mm}</math> [ $<.250''</math>].$
- 3 - WIRE MEETS SOLDERABILITY SPECIFICATION WHEN TESTED PER FAIR-RITE PRODUCTS CORP. SOP# ELC-57.
- 4 - PART MEETS FAIR-RITE PRODUCTS CORP. SOP# ELC-55, FOR THERMAL SHOCK RESISTANCE.
- 5 - RESISTIVITY > 1 X 10E6 Ohms-cm, Rdc @ 10Vdc, ACROSS "C" DIMENSION > 4 X 10E6 Ohms.
- 6 - WIRE LOOPS SHOULD BE UNIFORM IN LENGTH.
- 7 - PART IS TO BE BULK PACKED

<b>FAIR-RITE PRODUCTS CORP.</b>				
TITLE WOUND BEAD				
DRAWN BY J.SERENCIS	DATE 06-29-2018	SIZE <b>B</b>	PART NO. 2961666661	REV. ~
CHKD BY				
APPRVD BY		SCALE: NONE	SHEET 1 OF 1	

FR# 61