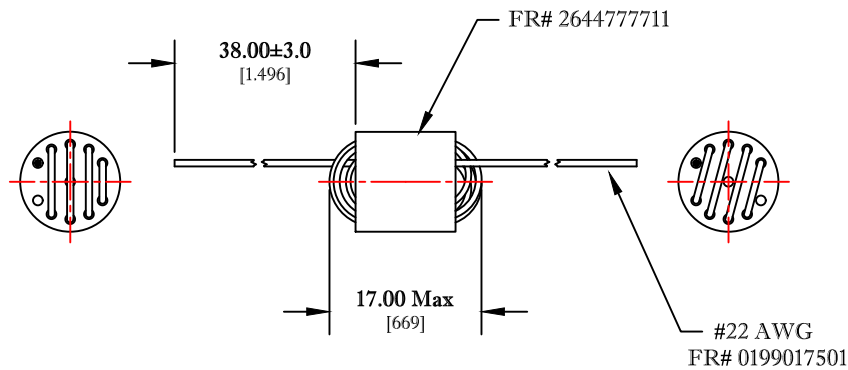


** Not all features are shown in this drawing. For more detailed information, please contact your Fair-Rite representative.

UNCONTROLLED ~CATALOG~ DRAWING

SIZE	PART NO.	REV.
B	2944777741	~



DIMENSIONS
BOLD NUMBERS ARE IN MILLIMETERS
 LIGHT NUMBERS ARE IN INCHES

ELECTRICAL SPECIFICATIONS

IMPEDANCE (OHMS)		
10 MHz	50 MHz	100 MHz
700 Min.	1400 Min.	1000 Min.

LEAD LENGTHS TRIMMED TO 1/2" FROM CORE
 TESTED WITH 4-1/2 TURNS OF #22 AWG

NOTES:

- 1 - CHIPS, CRACKS, AND APPEARANCE TO MEET FAIR-RITE VISUAL INSPECTION CRITERIA FOR GENERIC MULTI-HOLE WOUND BEADS.
- 2 - IMPEDANCE MEASURED ON AN E991A USING A 16092A TEST FIXTURE.
- 3 - WIRE MEETS SOLDERABILITY SPECIFICATION WHEN TESTED PER FAIR-RITE PRODUCTS CORP. SOP# ELC-57.
- 4 - PART MEETS FAIR-RITE PRODUCTS CORP. SOP# ELC-55, FOR THERMAL SHOCK RESISTANCE.
- 5 - WIRE LOOPS SHOULD BE UNIFORM IN LENGTH.

FR# 44

FAIR-RITE PRODUCTS CORP.				
TITLE WOUND BEAD				
DRAWN BY J.SERENCISCS	DATE 06-29-2018	SIZE	PART NO.	REV.
CHKD BY		B	2944777741	~
APPRVD BY		SCALE: NONE	SHEET 1 OF 1	