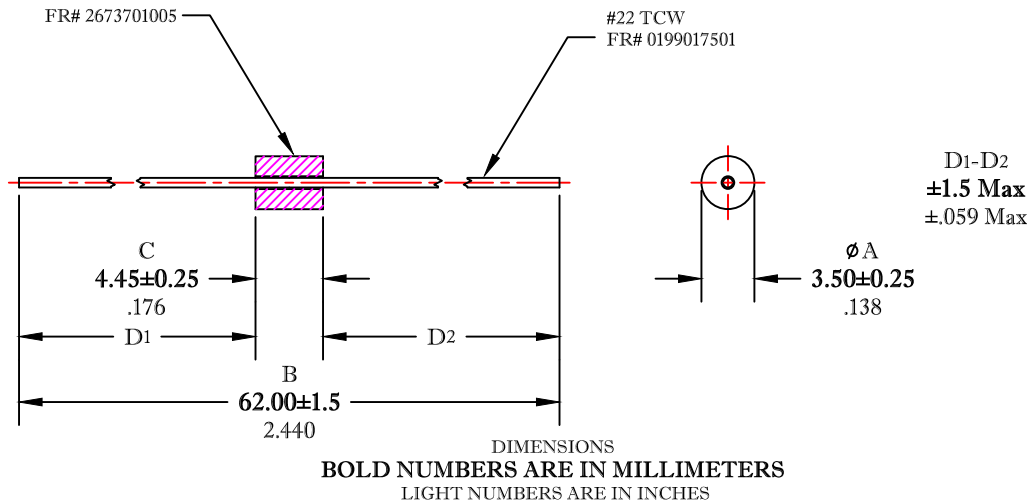


\*\* Not all features are shown in this drawing. For more detailed information, please contact your Fair-Rite representative.

UNCONTROLLED ~CATALOG~ DRAWING

SIZE	PART NO.	REV.
B	2773001111	~



**ELECTRICAL SPECIFICATIONS**

IMPEDANCE (OHMS)	
10 MHz	25 MHz
38 Min.	48.8 Min.

**NOTES:**

- 1 - PARTS TO MEET FAIR-RITE PRODUCTS CORP. GENERIC VISUAL INSPECTION CRITERIA FOR SHIELD BEADS.
- 2 - IMPEDANCE MEASURED ON A HP4193A, USING AN 04193-87001 PROBE KIT WITH A WIRE LENGTH OF 25.4mm [1"].
- 3 - PART MEETS FAIR-RITE PRODUCTS CORP. SOP# ELC-55 SPECIFICATION FOR THERMAL SHOCK RESISTANCE.
- 4 - WIRE MEETS FAIR-RITE PRODUCTS CORP. SOP# ELC-57, SPECIFICATION FOR SOLDERABILITY.
- 5 - PART IS BULK PACKAGED

FR# 73

<b>FAIR-RITE PRODUCTS CORP.</b>				
TITLE BEAD-ON-LEAD ASSEMBLY				
DRAWN BY J.SERENCIS	DATE 07-02-2018	SIZE B	PART NO. 2773001111	REV. ~
CHKD BY				
APPRVD BY		SCALE: NONE	SHEET 1 OF 1	