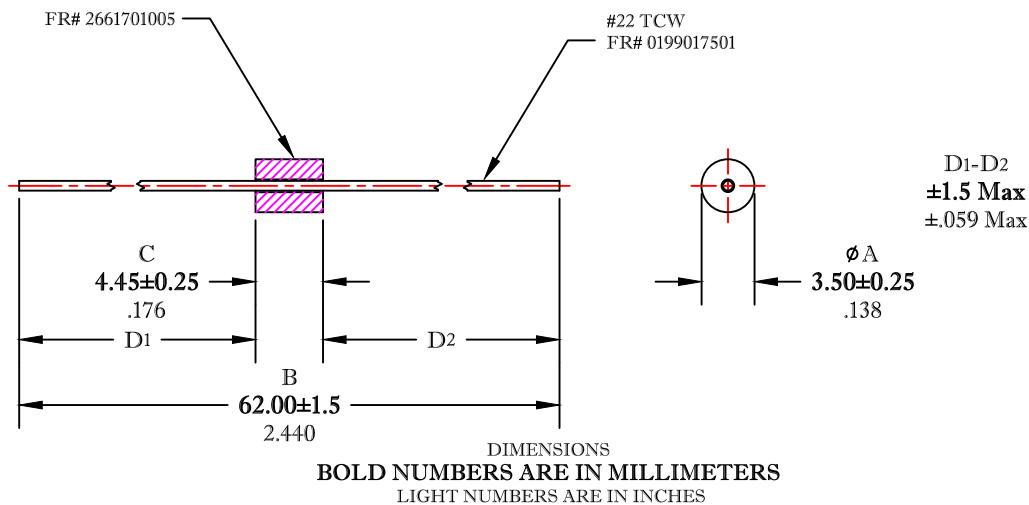


** Not all features are shown in this drawing. For more detailed information, please contact your Fair-Rite representative.

UNCONTROLLED ~CATALOG~ DRAWING

SIZE	PART NO.	REV.
B	2761001112	~



ELECTRICAL SPECIFICATIONS

IMPEDANCE (OHMS)		
100 MHz	250 MHz	500 MHz
42 Min.	58 Min.	67 Min.

NOTES:

- 1 - PARTS TO MEET FAIR-RITE PRODUCTS CORP. GENERIC VISUAL INSPECTION CRITERIA FOR SHIELD BEADS.
- 2 - IMPEDANCE MEASURED ON A HP4191A, USING A 16092A TEST FIXTURE, WITH COMPENSATION, AND A WIRE LENGTH OF 15mm [.6"].
- 3 - PART MEETS FAIR-RITE PRODUCTS CORP. SOP# ELC-55 SPECIFICATION FOR THERMAL SHOCK RESISTANCE.
- 4 - WIRE MEETS FAIR-RITE PRODUCTS CORP. SOP# ELC-57, SPECIFICATION FOR SOLDERABILITY.
- 5 - PART IS TAPED & REELED PER IEC 60286-1 & EIA RS296-F STANDARDS.

FR# 61

FAIR-RITE PRODUCTS CORP.				
TITLE BEAD-ON-LEAD ASSEMBLY				
DRAWN BY J.SERENCIS	DATE 07-02-2018	SIZE B	PART NO. 2761001112	REV. ~
CHKD BY				
APPRVD BY		SCALE: NONE	SHEET 1 OF 1	