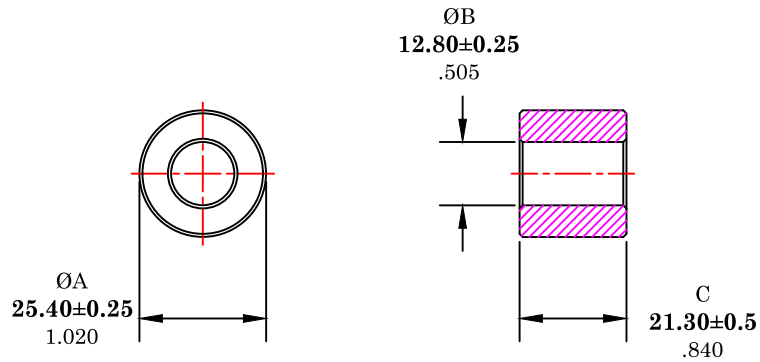


\*\* Not all features are shown in this drawing. For more detailed information, please contact your Fair-Rite representative.

UNCONTROLLED ~CATALOG~ DRAWING

SIZE	PART NO.	REV.
B	2677102402	~



DIMENSIONS  
**BOLD NUMBERS ARE IN MILLIMETERS**  
 LIGHT NUMBERS ARE IN INCHES

ELECTRICAL SPECIFICATIONS						
$\Sigma l/A (\text{mm}^{-1})$	$l_e (\text{mm})$	$A_e (\text{mm}^2)$	$V_e (\text{mm}^3)$	$L_o (\text{nH})$	IMPEDANCE (OHMS)	
					10 MHz	25 MHz
0.41853	56.0	134	7502	3.003	20 Min.	18 Min.
N=1 #22AWG WL=1.5"						

NOTES:

1 - BURNISH TO BREAK SHARP EDGES.

FR# 77

<b>FAIR-RITE PRODUCTS CORP.</b>						
TITLE ROUND SUPPRESSION CORE						
DRAWN BY J.SERENCIS	DATE 06-21-2018	SIZE	PART NO.	REV.		
CHKD BY		B	2677102402	~		
APPRD BY		SCALE	NONE	SHEET	1 of 1	