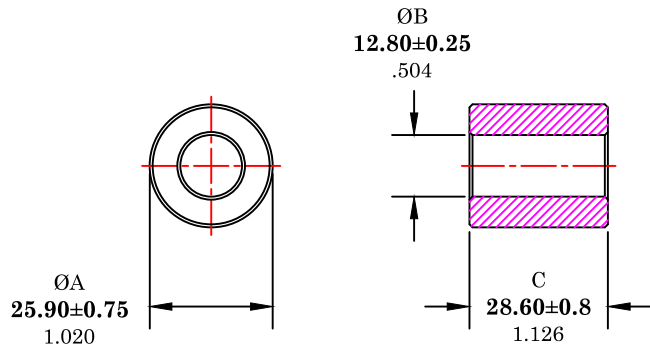


** Not all features are shown in this drawing. For more detailed information, please contact your Fair-Rite representative.

UNCONTROLLED ~CATALOG~ DRAWING

SIZE	PART NO.	REV.
B	2675102002	~



DIMENSIONS
BOLD NUMBERS ARE IN MILLIMETERS
 LIGHT NUMBERS ARE IN INCHES

ELECTRICAL SPECIFICATIONS

$\Sigma l/A(\text{mm}^{-1})$	l_e (mm)	A_e (mm ²)	V_e (mm ³)	L_o (nH)	IMPEDANCE (OHMS) SPECIFICATIONS			FOR PROCESS CONTROL ONLY	
					0.5 MHz	1.0 MHz	5.0 MHz	A_L (μH) @ 100 kHz	$\tan \delta/\mu_1$ @ 100 kHz
0.31170	56.0	180	10072	4.032	56 Min.	76 Min.	45 Min.	23.0±30%	≤10X10E-6
N=1 #22AWG WL=3"									

NOTES:

1 - BURNISH TO BREAK SHARP EDGES.

FR# 75

FAIR-RITE PRODUCTS CORP.					
TITLE ROUND SUPPRESSION CORE					
DRAWN BY J.SERENCIS	DATE 06-25-2018	SIZE	PART NO.	REV.	
CHKD BY		B	2675102002	~	
APPRVD BY		SCALE	NONE	SHEET 1 of 1	