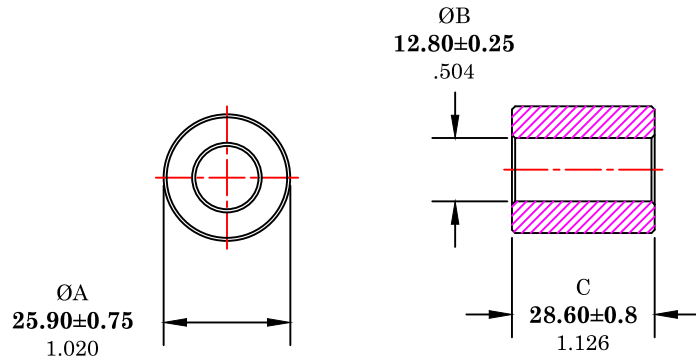


\*\* Not all features are shown in this drawing. For more detailed information, please contact your Fair-Rite representative.

UNCONTROLLED ~CATALOG~ DRAWING

SIZE	PART NO.	REV.
B	2661102002	~



DIMENSIONS  
**BOLD NUMBERS ARE IN MILLIMETERS**  
 LIGHT NUMBERS ARE IN INCHES

ELECTRICAL SPECIFICATIONS								
$\Sigma l/A(\text{mm}^{-1})$	$l_e$ (mm)	$A_e$ (mm <sup>2</sup> )	$V_e$ (mm <sup>3</sup> )	$L_o$ (nH)	IMPEDANCE (OHMS)			
					100 MHz	250 MHz	500 MHz	
0.31170	56.0	180	10072	4.032	152 Min.	240 Min.	304 Min.	
N=1 #22AWG WL=3.00"								

NOTES:

- 1 - BURNISH TO BREAK SHARP EDGES.
- 2 - IMPEDANCE MEASURED ON A HP4191A, USING A 16092A TEST FIXTURE, WITH FIXTURE COMPENSATION.

FR# 61

FAIR-RITE PRODUCTS CORP.					
TITLE ROUND SUPPRESSION CORE					
DRAWN BY J.SERENCSCS	DATE 06-25-2018	SIZE	PART NO.	REV.	
CHKD BY		B	2661102002	~	
APPRVD BY		SCALE	NONE	SHEET 1 of 1	