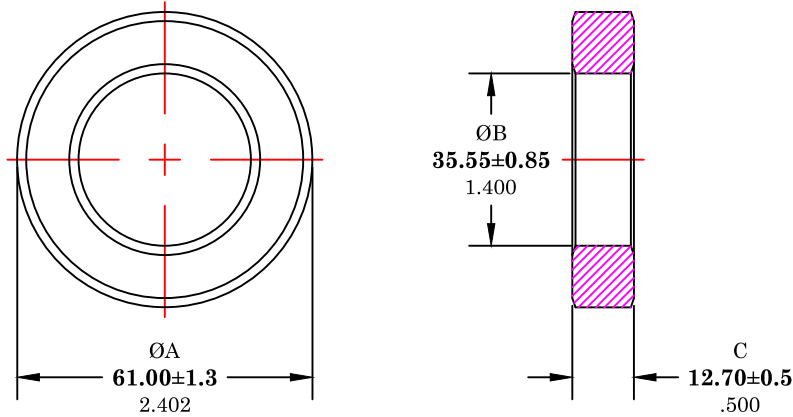


\*\* Not all features are shown in this drawing. For more detailed information, please contact your Fair-Rite representative.

UNCONTROLLED ~CATALOG~ DRAWING

SIZE	PART NO.	REV.
B	2646803802	~




DIMENSIONS  
**BOLD NUMBERS ARE IN MILLIMETERS**  
 LIGHT NUMBERS ARE IN INCHES

ELECTRICAL SPECIFICATIONS					
$\Sigma l/A (\text{mm}^{-1})$	$l_e (\text{mm})$	$A_e (\text{mm}^2)$	$V_e (\text{mm}^3)$	$L_o (\text{nH})$	IMPEDANCE (OHMS)
					100 MHz
.91627	145	158	22800	1.371	78 Min.
N=1 #22 AWG WL=3"					

NOTES:

1 - BURNISH TO REMOVE SHARP EDGES.

FR# 46

 <b>FAIR-RITE PRODUCTS CORP.</b>					
TITLE ROUND SUPPRESSION CORE					
DRAWN BY J.SERENCIS	DATE 06-25-2018	SIZE B	PART NO. 2646803802	REV. ~	
CHKD BY					
APPRVD BY		SCALE NONE	SHEET 1 of 1		