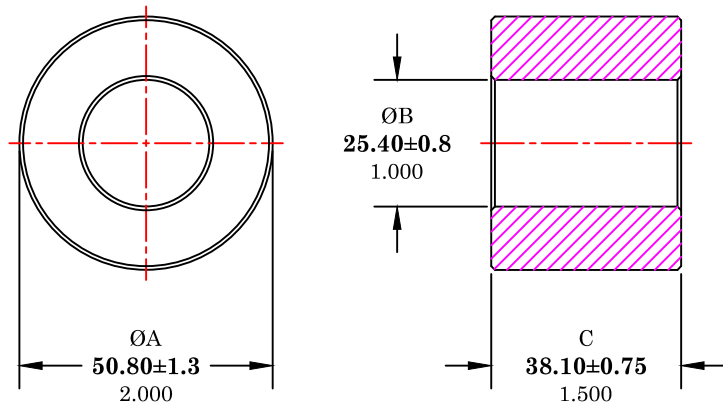


** Not all features are shown in this drawing. For more detailed information, please contact your Fair-Rite representative.

UNCONTROLLED ~CATALOG~ DRAWING

SIZE	PART NO.	REV.
B	2646626202	~



DIMENSIONS
BOLD NUMBERS ARE IN MILLIMETERS
 LIGHT NUMBERS ARE IN INCHES

ELECTRICAL SPECIFICATIONS					IMPEDANCE (OHMS)	
$\Sigma l/A(\text{mm}^{-1})$	l_e (mm)	A_e (mm ²)	V_e (mm ³)	L_o (nH)	100 MHz	
.23791	111	465	51432	5.282	240 Min.	
N=1 #22AWG WL=4.50"						

NOTES:

1 - BURNISH TO BREAK SHARP EDGES.

FR# 46

FAIR-RITE PRODUCTS CORP.						
TITLE ROUND SUPPRESSION CORE						
DRAWN BY J.SERENCIS	DATE 06-25-2018	SIZE	PART NO.	REV.		
CHKD BY		B	2646626202	~		
APPRVD BY		SCALE	NONE	SHEET	1 of 1	