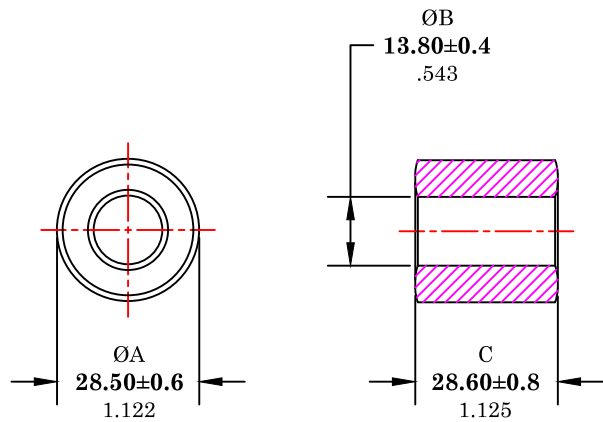


\*\* Not all features are shown in this drawing. For more detailed information, please contact your Fair-Rite representative.

UNCONTROLLED ~CATALOG~ DRAWING

SIZE	PART NO.	REV.
B	2646101902	~



DIMENSIONS  
**BOLD NUMBERS ARE IN MILLIMETERS**  
 LIGHT NUMBERS ARE IN INCHES

ELECTRICAL SPECIFICATIONS					
$\Sigma L/A (\text{mm}^{-1})$	$l_e (\text{mm})$	$A_e (\text{mm}^2)$	$V_e (\text{mm}^3)$	$L_o (\text{nH})$	IMPEDANCE (OHMS)
					100 MHz
.30292	61.0	201	12266	4.148	165 Min.
N=1 #22AWG WL=2.5"					

NOTES:

1 - BURNISH TO BREAK SHARP EDGES.

FR# 46

<b>FAIR-RITE PRODUCTS CORP.</b>					
TITLE ROUND SUPPRESSION CORE					
DRAWN BY J.SERENCIS	DATE 06-25-2018	SIZE	PART NO.	REV.	
CHKD BY		B	2646101902	~	
APPRVD BY		SCALE	NONE	SHEET 1 of 1	