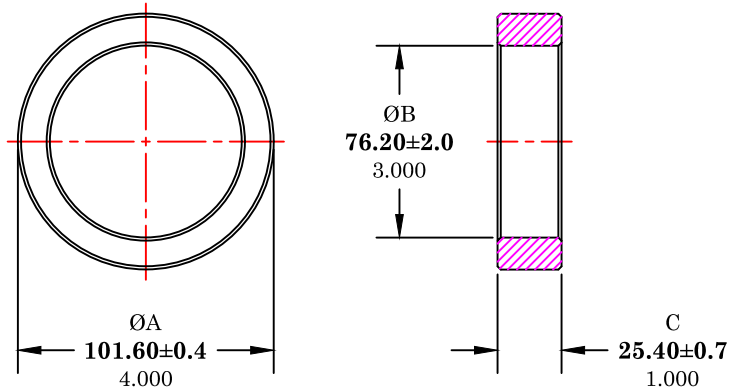


** Not all features are shown in this drawing. For more detailed information, please contact your Fair-Rite representative.

UNCONTROLLED ~CATALOG~ DRAWING

SIZE	PART NO.	REV.
B	2643814002	~



DIMENSIONS
BOLD NUMBERS ARE IN MILLIMETERS
 LIGHT NUMBERS ARE IN INCHES

ELECTRICAL SPECIFICATIONS						
$\Sigma l/A (\text{mm}^{-1})$	$l_e (\text{mm})$	$A_e (\text{mm}^2)$	$V_e (\text{mm}^3)$	$L_o (\text{nH})$	IMPEDANCE (OHMS)	
					25 MHz	100 MHz
0.85985	275	320	88,250	1.461	60 Min.	135 Min.
N=1 #22AWG WL=2.75"						

NOTES:
 1 - BURNISH TO REMOVE SHARP EDGES.

FR# 43

FAIR-RITE PRODUCTS CORP.						
TITLE ROUND SUPPRESSION CORE						
DRAWN BY J.SERENCISCS	DATE 06-25-2018	SIZE B	PART NO. 2643814002	REV. ~		
CHKD BY					SCALE NONE	SHEET 1 of 1
APPRVD BY						