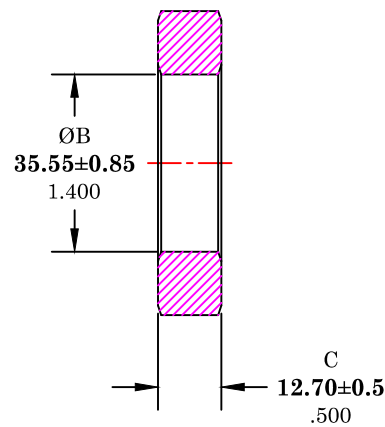
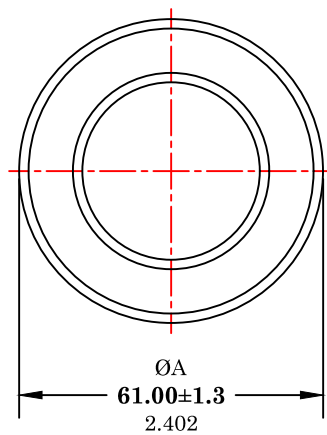


** Not all features are shown in this drawing. For more detailed information, please contact your Fair-Rite representative.

UNCONTROLLED ~CATALOG~ DRAWING

SIZE	PART NO.	REV.
B	2643803802	~



DIMENSIONS
BOLD NUMBERS ARE IN MILLIMETERS
 LIGHT NUMBERS ARE IN INCHES

ELECTRICAL SPECIFICATIONS							
$\Sigma l/A(\text{mm}^{-1})$	l_e (mm)	A_e (mm ²)	V_e (mm ³)	L_o (nH)	IMPEDANCE (OHMS)		
					25 MHz	100 MHz	
.91627	145	158	22798	1.371	46 Min.	86 Min.	
N=1 #22AWG WL=3"							

NOTES:

1 - BURNISH TO BREAK SHARP EDGES.

FR# 43

FAIR-RITE PRODUCTS CORP.							
TITLE ROUND SUPPRESSION CORE							
DRAWN BY J.SERENCIS	DATE 06-25-2018	SIZE	PART NO.	REV.			
CHKD BY		B	2643803802	~			
APPRVD BY		SCALE	NONE	SHEET	1	of	1