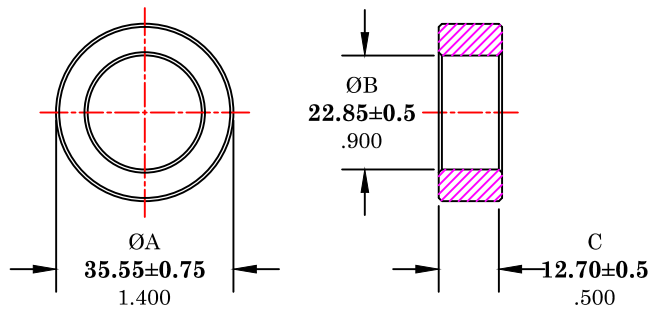


\*\* Not all features are shown in this drawing. For more detailed information, please contact your Fair-Rite representative.

UNCONTROLLED ~CATALOG~ DRAWING

SIZE	PART NO.	REV.
B	2643802702	~



DIMENSIONS  
**BOLD NUMBERS ARE IN MILLIMETERS**  
 LIGHT NUMBERS ARE IN INCHES

ELECTRICAL SPECIFICATIONS						
$\Sigma l/A (\text{mm}^{-1})$	$l_e (\text{mm})$	$A_e (\text{mm}^2)$	$V_e (\text{mm}^3)$	$L_o (\text{nH})$	IMPEDANCE (OHMS)	
					25 MHz	100 MHz
1.1193	88.8	79.3	7047	1.123	36 Min.	60 Min.
N=1 #22AWG WL=1.5"						

NOTES:

- 1 - FR# 43 MATERIAL, OR APPROVED EQUIVALENT.
- 2 - BURNISH TO BREAK SHARP EDGES.
- 3 - IMPEDANCE MEASURED ON AN E4991A USING A 16092A TEST FIXTURE.

FR# 43

<b>FAIR-RITE PRODUCTS CORP.</b>						
TITLE ROUND SUPPRESSION CORE						
DRAWN BY J.SERENCISCS	DATE 06-26-2018	SIZE	PART NO.	REV.		
CHKD BY			B 2643802702	~		
APPRVD BY		SCALE NONE	SHEET 1 of 1			