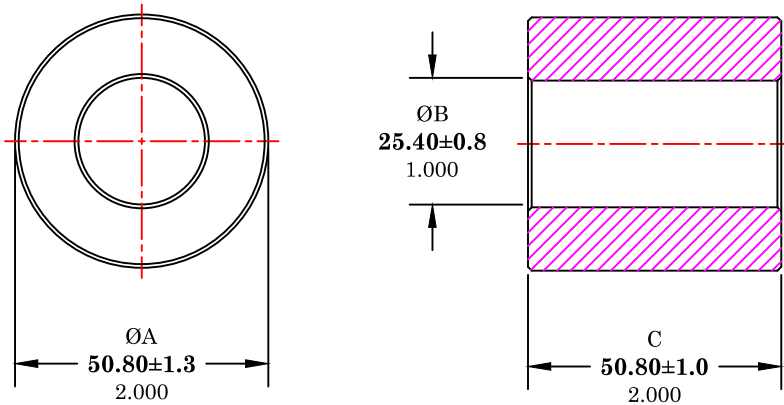


** Not all features are shown in this drawing. For more detailed information, please contact your Fair-Rite representative.

UNCONTROLLED ~CATALOG~ DRAWING

SIZE	PART NO.	REV.
B	2643626002	~



DIMENSIONS
BOLD NUMBERS ARE IN MILLIMETERS
 LIGHT NUMBERS ARE IN INCHES

ELECTRICAL SPECIFICATIONS						IMPEDANCE (OHMS)	
$\Sigma l/A (\text{mm}^{-1})$	$l_e (\text{mm})$	$A_e (\text{mm}^2)$	$V_e (\text{mm}^3)$	$L_o (\text{nH})$	25 MHz	100 MHz	
.17843	111	620	68576	7.043	192 Min.	288 Min.	
N=1 #22AWG WL=5.5"							

NOTES:

1- BURNISH TO BREAK SHARP EDGES.

FR# 43

FAIR-RITE PRODUCTS CORP.							
TITLE						ROUND SUPPRESSION CORE	
DRAWN BY	DATE	SIZE	PART NO.	REV.			
J.SERENCIS	06-25-2018	B	2643626002	~			
CHKD BY		APPRVD BY	SCALE	NONE	SHEET	1 of 1	