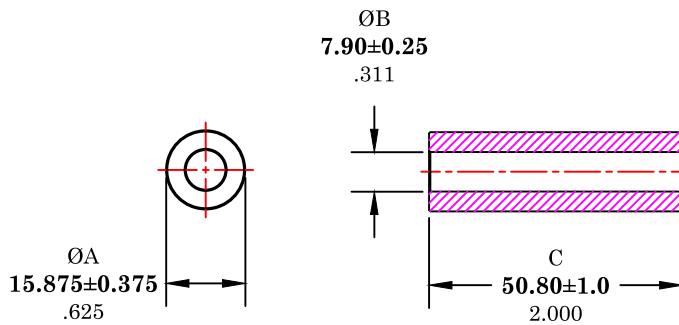


** Not all features are shown in this drawing. For more detailed information, please contact your Fair-Rite representative.

UNCONTROLLED ~CATALOG~ DRAWING

SIZE	PART NO.	REV.
B	2643625202	~



DIMENSIONS
BOLD NUMBERS ARE IN MILLIMETERS
 LIGHT NUMBERS ARE IN INCHES

ELECTRICAL SPECIFICATIONS						
$\Sigma l/A (\text{mm}^{-1})$	$l_e (\text{mm})$	$A_e (\text{mm}^2)$	$V_e (\text{mm}^3)$	$L_0 (\text{nH})$	IMPEDANCE (OHMS)	
					25 MHz	100 MHz
0.17722	34.5	195	6707	7.091	210 Min.	320 Min.
N=1 #22AWG WL=4.25"						

NOTES:

- 1 - BURNISH TO BREAK SHARP EDGES.
- 2 - IMPEDANCE MEASURED ON AN E4991A USING A 16092A TEST FIXTURE.

FR# 43

FAIR-RITE PRODUCTS CORP.						
TITLE ROUND SUPPRESSION CORE						
DRAWN BY J.SERENCISCS	DATE 06-25-2018	SIZE	PART NO.	REV.		
CHKD BY		B	2643625202	~		
APPRVD BY		SCALE	NONE	SHEET	1 of 1	