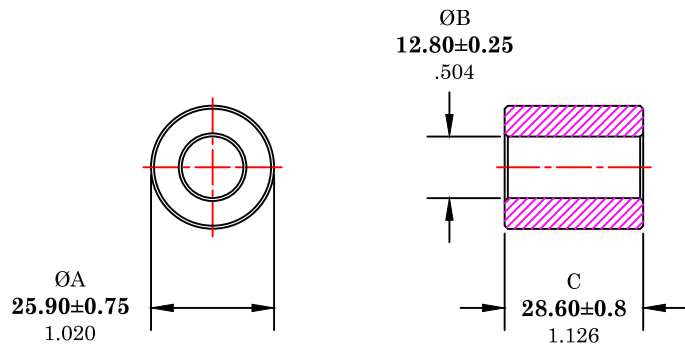


** Not all features are shown in this drawing. For more detailed information, please contact your Fair-Rite representative.

UNCONTROLLED ~CATALOG~ DRAWING

SIZE	PART NO.	REV.
B	2643102002	~



DIMENSIONS
BOLD NUMBERS ARE IN MILLIMETERS
 LIGHT NUMBERS ARE IN INCHES

ELECTRICAL SPECIFICATIONS							
$\Sigma l/A (\text{mm}^{-1})$	$l_e (\text{mm})$	$A_e (\text{mm}^2)$	$V_e (\text{mm}^3)$	$L_o (\text{nH})$	IMPEDANCE (OHMS)		
					25 MHz	100 MHz	
.31170	56.0	180	10072	4.032	116 Min.	188 Min.	
N=1 #22AWG WL=3"							

NOTES:

1 - BURNISH TO BREAK SHARP EDGES.

FR# 43

FAIR-RITE PRODUCTS CORP.						
TITLE ROUND SUPPRESSION CORE						
DRAWN BY J.SERENCIS	DATE 06-25-2018	SIZE B	PART NO. 2643102002	REV. ~		
CHKD BY					SCALE NONE	SHEET 1 of 1
APPRVD BY						