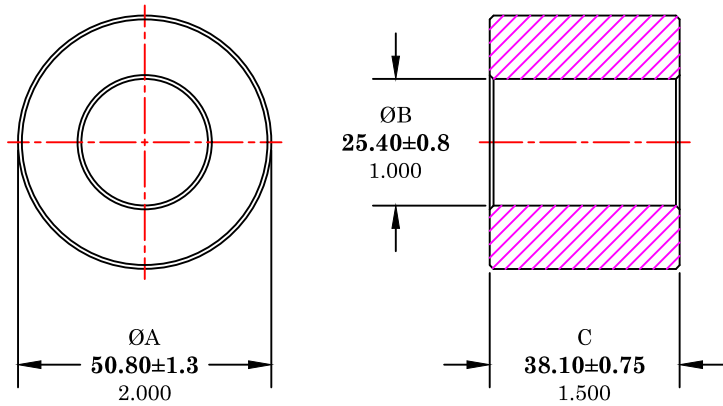


** Not all features are shown in this drawing. For more detailed information, please contact your Fair-Rite representative.

UNCONTROLLED ~CATALOG~ DRAWING

SIZE	PART NO.	REV.
B	2631626202	~



DIMENSIONS
BOLD NUMBERS ARE IN MILLIMETERS
 LIGHT NUMBERS ARE IN INCHES

ELECTRICAL SPECIFICATIONS							
$\Sigma l/A(\text{mm}^{-1})$	l_e (mm)	A_e (mm ²)	V_e (mm ³)	L_o (nH)	IMPEDANCE (OHMS)		
					10 MHz	25 MHz	100 MHz
0.23791	111	465	51432	5.282	110 Min.	162 Min.	272 Min.
N=1, #22 AWG, WL=4.50"							

NOTES:

- 1 - BURNISH TO BREAK SHARP EDGES.
- 2 - IMPEDANCE MEASURED ON AN E4991A USING A 16092A TEST FIXTURE.

FR# 31

FAIR-RITE PRODUCTS CORP.							
TITLE ROUND SUPPRESSION CORE							
DRAWN BY J.SERENCIS	DATE 06-25-2018	SIZE	PART NO.	REV.			
CHKD BY		B	2631626202	~			
APPRVD BY		SCALE	NONE	SHEET	1	of	1