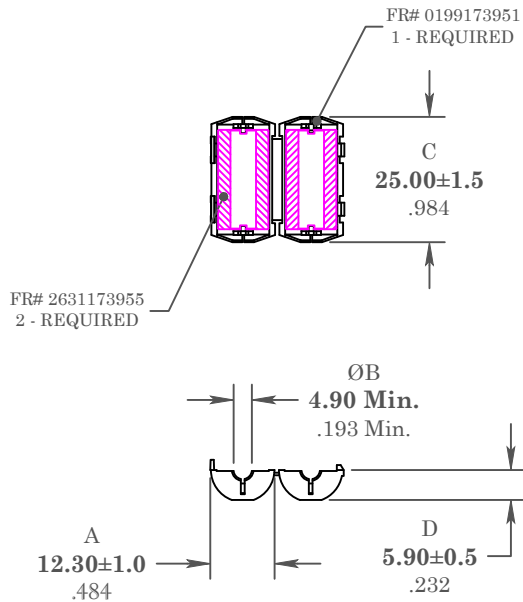


** Not all features are shown in this drawing. For more detailed information, please contact your Fair-Rite representative.

UNCONTROLLED ~CATALOG~ DRAWING

SIZE	PART NO.	REV.
B	0446173951	~



DIMENSIONS
BOLD NUMBERS ARE IN MILLIMETERS
 LIGHT NUMBERS ARE IN INCHES

ELECTRICAL SPECIFICATIONS

Impedance (Ohms)
100 MHz
110 Min.

N=1 #22 AWG WL=2"

NOTES:

- 1 - CASE MATERIAL: POLYPROPYLENE - VO.
- 2 - CORE MATERIAL: FAIR-RITE PRODUCTS CORP. FR# 46.

FAIR-RITE PRODUCTS CORP.					
TITLE					
ROUND CABLE "SNAP-IT"					
DRAWN BY	DATE	SIZE	PART NO.	REV.	
J.SERENCISCS	06-19-2018	B	0446173951	~	
CHKD BY					
APPRVD BY		SCALE	NONE	SHEET 1 of 1	