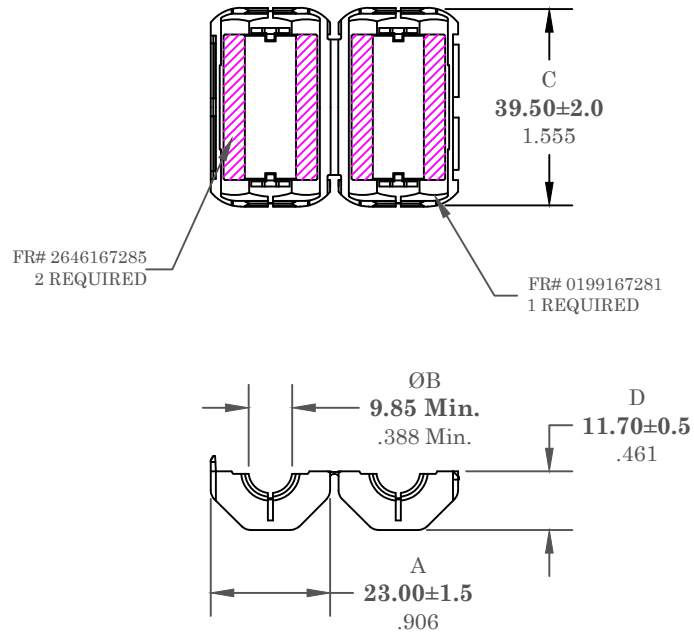


** Not all features are shown in this drawing. For more detailed information, please contact your Fair-Rite representative.

UNCONTROLLED ~CATALOG~ DRAWING

SIZE	PART NO.	REV.
B	0446167281	~



DIMENSIONS
BOLD NUMBERS ARE IN MILLIMETERS
 LIGHT NUMBERS ARE IN INCHES


ELECTRICAL SPECIFICATIONS

Impedance (Ohms)
100 MHz
150 Min.

N=1, #22 AWG, WL=3"

NOTES:

- 1 - CASE MATERIAL: POLYPROPYLENE - VO.
- 2 - CORE MATERIAL: FAIR-RITE PRODUCTS CORP. FR# 46.
- 3 - IMPEDANCE MEASURED ON AN E4991A USING A 16092A TEST FIXTURE.

 FAIR-RITE PRODUCTS CORP.				
TITLE				
ROUND CABLE "SNAP-IT"				
DRAWN BY	DATE	SIZE	PART NO.	REV.
J.SERENCIS	06-20-2018	B	0446167281	~
CHKD BY		SCALE NONE		SHEET 1 of 1
APPRVD BY				