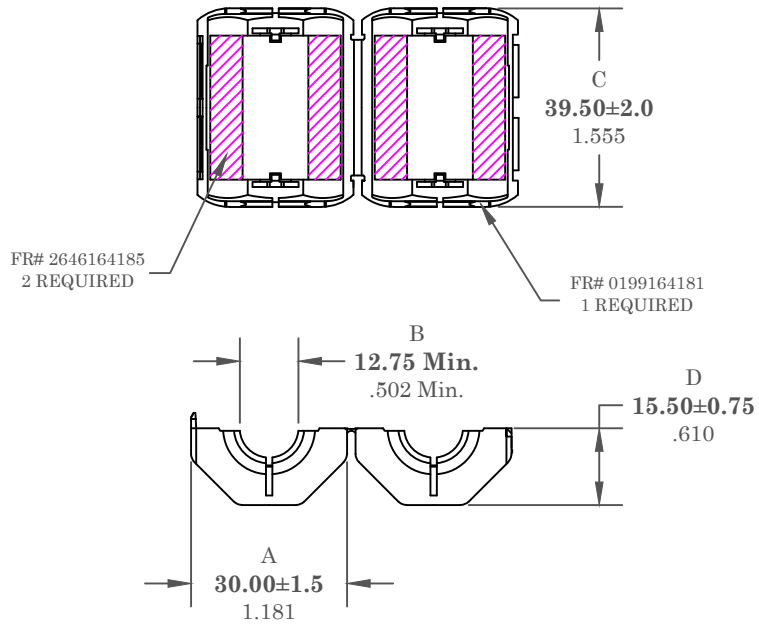


\*\* Not all features are shown in this drawing. For more detailed information, please contact your Fair-Rite representative.

UNCONTROLLED ~CATALOG~ DRAWING

SIZE	PART NO.	REV.
B	0446164181	~



FR# 2646164185  
2 REQUIRED

FR# 0199164181  
1 REQUIRED

ELECTRICAL SPECIFICATIONS

Impedance (Ohms)
100 MHz
165 Min.

N=1 #22 AWG WL=2-1/2"

DIMENSIONS  
**BOLD NUMBERS ARE IN MILLIMETERS**  
 LIGHT NUMBERS ARE IN INCHES

NOTES:

- 1 - CASE MATERIAL: POLYPROPYLENE - V0.  
 CORE MATERIAL: FAIR-RITE PRODUCTS CORP. FR# 46.

<b>FAIR-RITE PRODUCTS CORP.</b>					
TITLE					
ROUND CABLE "SNAP-IT"					
DRAWN BY	DATE	SIZE	PART NO.	REV.	
J.SERENCICS	06-20-2018	B	0446164181	~	
CHKD BY					
APPRVD BY		SCALE	NONE	SHEET 1 of 1	