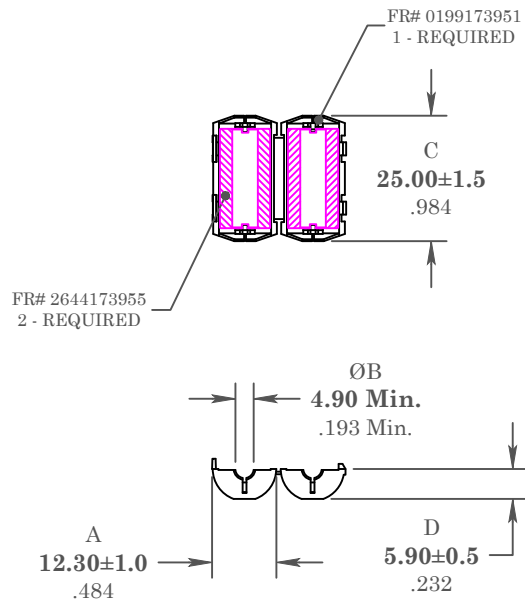


** Not all features are shown in this drawing. For more detailed information, please contact your Fair-Rite representative.

UNCONTROLLED ~CATALOG~ DRAWING

SIZE	PART NO.	REV.
B	0444173951	~




DIMENSIONS
BOLD NUMBERS ARE IN MILLIMETERS
 LIGHT NUMBERS ARE IN INCHES

ELECTRICAL SPECIFICATIONS

IMPEDANCE (OHMS)	
25 MHz	100 MHz
70 Min.	110 Min.
N=1, #22 AWG, WL=2"	

NOTES:

- 1 - CASE MATERIAL: POLYPROPYLENE VO.
- 2 - CORE MATERIAL: FAIR-RITE PRODUCTS CORP. FR# 44.
- 3 - IMPEDANCE MEASURED ON AN E4991A USING A 16092A TEST FIXTURE.

 FAIR-RITE PRODUCTS CORP.					
TITLE					
ROUND CABLE "SNAP-IT"					
DRAWN BY	DATE	SIZE	PART NO.	REV.	
J.SERENCICS	06-19-2018	B	0444173951	~	
CHKD BY					
APPRVD BY		SCALE	NONE	SHEET 1 of 1	