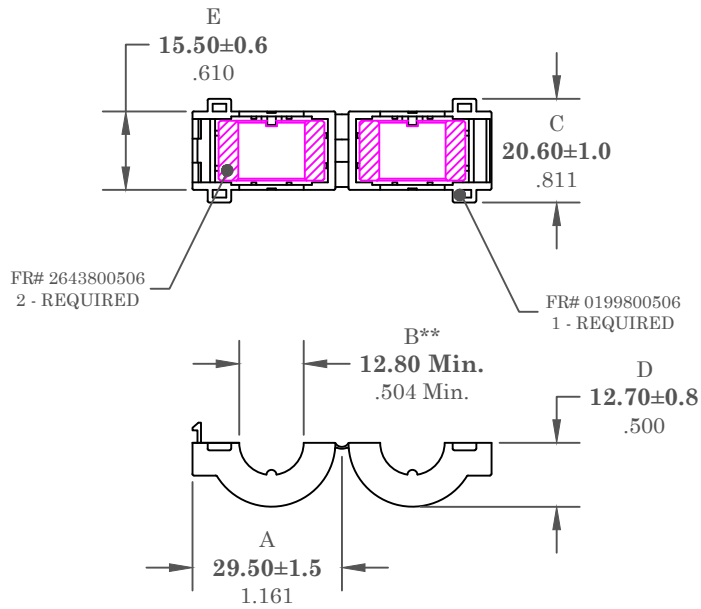


\*\* Not all features are shown in this drawing. For more detailed information, please contact your Fair-Rite representative.

UNCONTROLLED ~CATALOG~ DRAWING

SIZE	PART NO.	REV.
B	0443800506	~



DIMENSIONS  
**BOLD NUMBERS ARE IN MILLIMETERS**  
 LIGHT NUMBERS ARE IN INCHES

### ELECTRICAL SPECIFICATIONS

IMPEDANCE (OHMS)	
25 MHz	100 MHz
30 Min.	56 Min.
N=1, #22 AWG, WL=2"	

NOTES:

- 1 - CASE MATERIAL: NYLON 6/6, UL 94-V2.
- 2 - CORE MATERIAL: FAIR-RITE PRODUCTS CORP. FR# 43.
- 3 - IMPEDANCE MEASURED ON AN E4991A USING A 16092A TEST FIXTURE.

<b>FAIR-RITE PRODUCTS CORP.</b>					
TITLE					
ROUND CABLE "SNAP-IT"					
DRAWN BY	DATE	SIZE	PART NO.	REV.	
J.SERENCISCS	06-20-2018	B	0443800506	~	
CHKD BY		SCALE NONE		SHEET 1 of 1	
APPRVD BY					