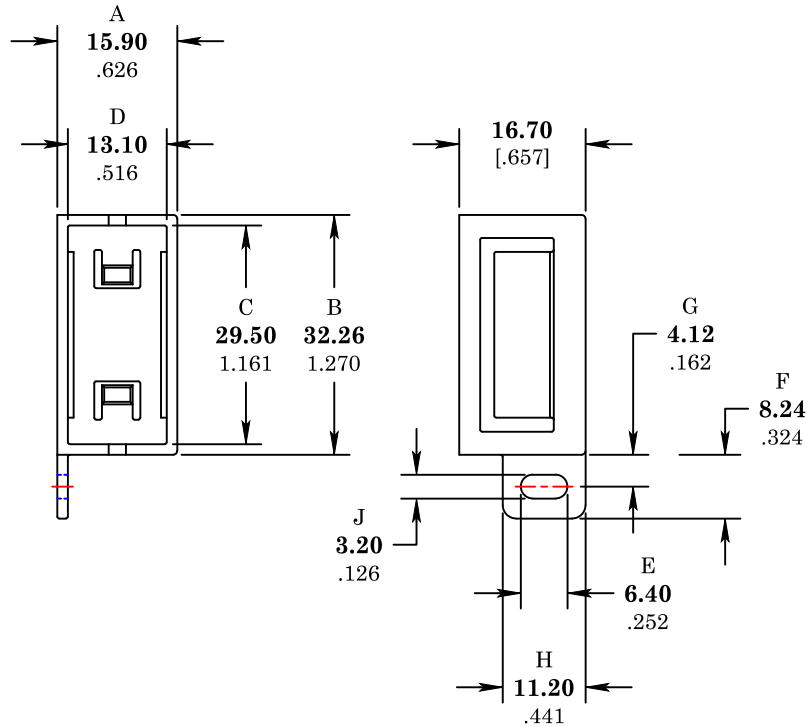


\*\* Not all features are shown in this drawing. For more detailed information, please contact your Fair-Rite representative.

UNCONTROLLED ~CATALOG~ DRAWING


SIZE	PART NO.	REV.
B	0199016551	~



DIMENSIONS  
**BOLD NUMBERS ARE IN MILLIMETERS**  
 LIGHT NUMBERS ARE IN INCHES

NOTES:

1 - MATERIAL: BLACK POLYPROPYLENE 'V0'.

 <b>FAIR-RITE PRODUCTS CORP.</b>				
TITLE POLYPRO ASSEMBLY CLIP				
DRAWN BY J.SERENCISCS	DATE 06-21-2018	SIZE	PART NO.	REV.
CHKD BY		B	0199016551	~
APPRVD BY		SCALE	1.5X	SHEET 1 of 1