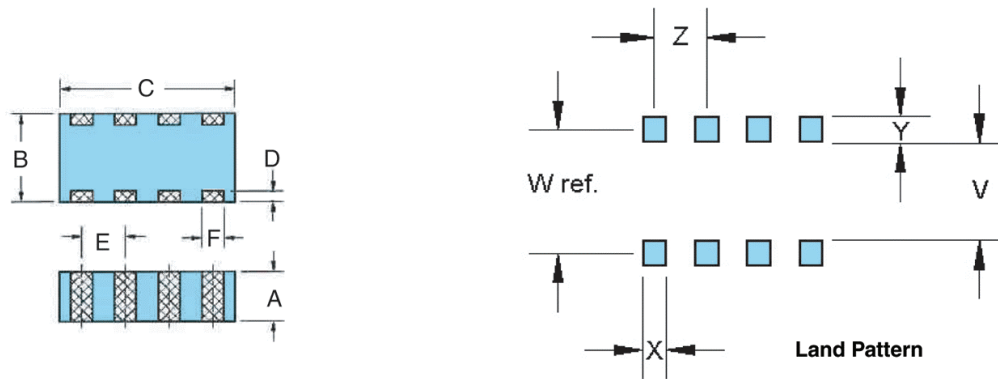


Quick Link: www.fair-rite.com/ca



Legend

✓ Preferred parts, the suggested choice for new designs, have shorter lead times and are more readily available.

+ Test frequency

Dimensions (Top numbers are in millimeters, bottom numbers are in nominal inches.)

Pkg. Size	A	B	C	D	E	F	Wt. (g)	Land Patterns					Reel Information		
								V	W (ref)	X	Y	Z	Tape Width mm	Pitch mm	Parts 7" Reel
1206 (3216)	0.8±0.2 0.032	1.6±0.2 0.063	3.2±0.2 0.126	0.3±0.2 0.011	0.8±0.1 0.032	0.4±0.15 0.016	0.03	0.7 0.028	1.3 0.051	0.5 0.020	0.6 0.024	0.8 0.032	8	4	3000

Standard Signal Speed

Part Number	✓	Pkg. Size	Impedance (Ω)				Max DCR (Ω)	Max Current (mA)
			50 MHz	100 MHz ⁺	500 MHz	1000 MHz		
2512066007Y0A4	✓	1206 (3216)	48	60 ±25%	77	75	0.250	200
2512061217Y0A4	✓	1206 (3216)	95	120 ±25%	150	118	0.300	150
2512063017Y0A4	✓	1206 (3216)	225	300 ±25%	280	160	0.300	150
2512066017Y0A4	✓	1206 (3216)	460	600 ±25%	400	205	0.500	100
2512061027Y0A4	✓	1206 (3216)	770	1000 ±25%	400	200	0.700	50